

habitat zip<sup>®</sup>



*Enjoy the outdoors  
with total safety*







C3 Systems is highly committed to its team, its customers, its surroundings and the environment. We work every year with the aim of identifying and proposing measures that contribute to achieving sustainable, efficient and balanced economic growth. For this reason, we carry out adequate raw materials management, we preserve natural resources by promoting their responsible use, guaranteeing their supply and carrying out studies to improve and identify new opportunities for economic growth. In addition, we develop innovative products in the environmental field and we guarantee the protection of people's health and quality of life.

***Look closely at the present you are building, because it must resemble the future you dream of.***

*~Alice Walker~*



## SCREEN AWNING



The screen awning **Habitat ZIP** is a roller blind system with chest that incorporates a welded zipper on the sides of the fabric, in addition to spring systems in the lateral guides. It provides greater tension than conventional systems, and that allows covering large surfaces.

**Habitat ZIP** is a new solar protection system that can be used to shield the interior of your room from the light and sun coming from the outside, providing a greater light and thermal comfort both in winter and summer. It saves energy by reducing heat and cold in your home and avoiding annoying light reflections.

It is a very comfortable system that contributes to sustainability by optimising considerably the energy efficiency of the space. It also allows a better use of solar energy by reducing the electrical consumption.

This protection system is fully adjustable and customisable to any type of location, like offices and façades that are constantly exposed to sunlight. It allows you to easily manage incoming light and decrease visual disturbances caused by sunlight at certain times of the day.

**Habitat ZIP** awnings make it easier for you to reach the right temperature for comfortable living or working.

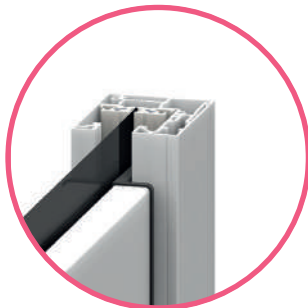


## COMPONENTS



### LED lighting

Creates nice and unique environments. You can also choose different colour options:  
- White 3000K/4000K



### Interior, deeper guide

It better adapts to the wind's thrust.



### Tension spring on lateral guide

Maintains tension in the fabric, thus decreasing wrinkles.



### Hidden fabric welds

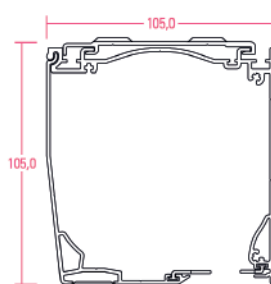
Provide a uniform finish to the fabric cloth.

## DIMENSIONS

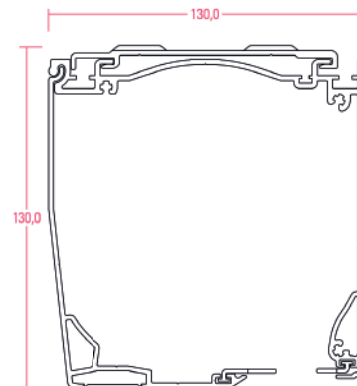
Technical specifications						
	105 Model	130 Model	Mosqui-zip 105	Mosqui-zip 130	105 Cristal fabric	130 Cristal fabric
Maximum width	5000 mm	6000 mm	4000 mm	4000 mm	5000 mm*	5750 mm*
Maximum height	3000 mm	3500 mm	2400 mm	2400 mm	3000 mm	3500 mm
Minimum width	800 mm	800 mm	800 mm	800 mm	2000 mm	2000 mm
Minimum height	500 mm	500 mm	500 mm	500 mm	2000 mm	2000 mm
Ø Axis	70 mm	78 mm	70 mm	78 mm	70 mm	78 mm

\*The measurements of the transparent window will depend on the measurements of the ZIP, leaving a margin of acrylic fabric of 60 cm on each side and 50 cm at the bottom.

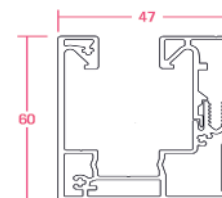
## SECTIONS



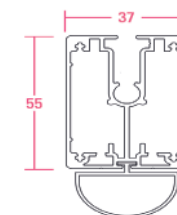
105 chest



130 chest



Guide



Terminal

**Habitat ZIP** is available in all RAL colours, textured and matt. Visit our website to see our wide range of colours.



## FABRIC COLOURS

Available fabrics Soltis Opaque 622		Available fabrics Soltis Perform 92			Available fabrics Sarga 5%			Available fabrics Sarga 1%		Available fabrics Mosqui-zip / crystal <b>New</b>
50537	50539	2044	2171	2135	0202	0207	0707	0202	0207	
50542		50265	2047		0802	0110		0707	0110	

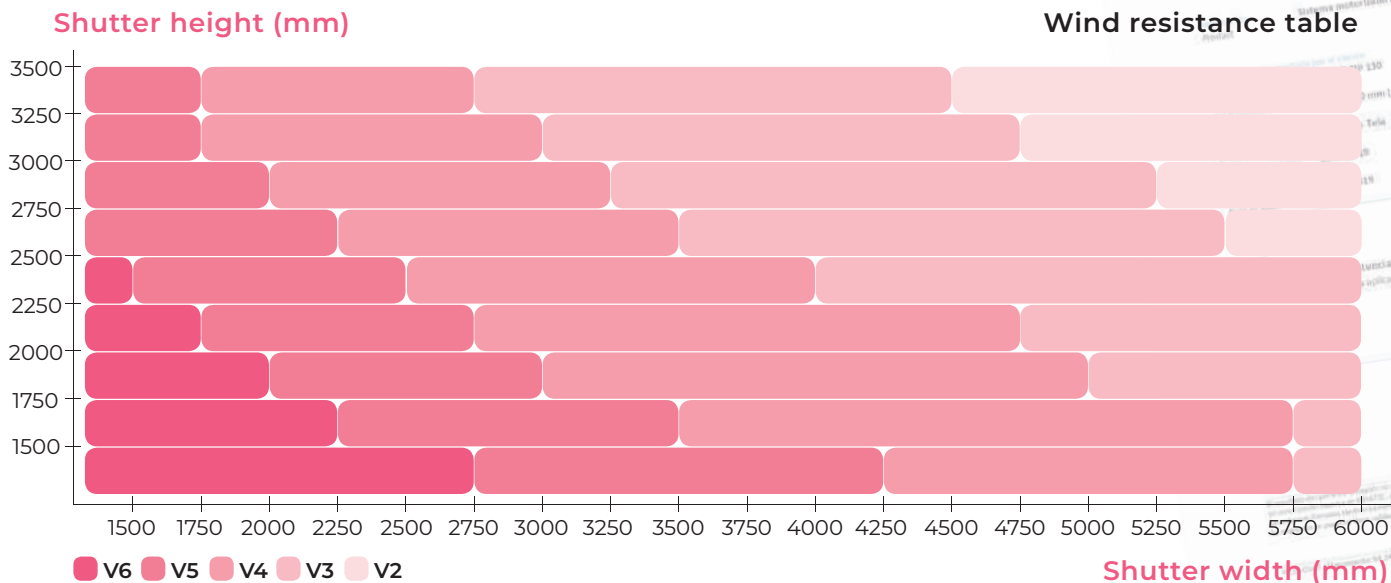
	Fabric characteristics Soltis Opaque 622	Fabric characteristics Soltis Perform 92	Fabric characteristics Sarga 5%	Fabric characteristics Sarga 1%	Fabric characteristics Mosqui-zip	Fabric characteristics Crystal fabric
Weight m <sup>2</sup>	750 g/ m <sup>2</sup> - EN ISO 2286-2	420 g/ m <sup>2</sup> - EN ISO 2286-2	525 g/ m <sup>2</sup>	638 g/ m <sup>2</sup>	115 g/ m <sup>2</sup>	625 g/ m <sup>2</sup> - EN ISO 2286-2
Thickness	0,63 mm	0,45 mm	0,74 mm	0,78 mm	0,28 mm	0,5 mm
Length	50 ml	50 ml - 40 ml	30-50 ml	30 ml	-	25 - 50 ml
Tensile Strength	230/220 daN/5 cm EN ISO 1421	310/210 daN/5 cm EN ISO 1421	-	-	-	134.6 N JIS K-6732
Tear Resistance	20/20 daN DIN 53.363	45/20 daN DIN 53.363	8,5/7,5 daN UNE EN ISO 4674-1	5.90 daN ISO 4674-1	-	41.7 N JIS K-6732
Fire Resistance	M2/NFP 92-507 · B1/DIN 4102-1 · M2/UNE 23.727-90 BS 7837 · 1530.2 & 3/AS NZS	B1/DIN 4102 · BS 7837 · BS 5867 · Fire resistance-Q1-Tr/ ONORM A 3800-1 Class 1	C-s3, d0 UNE-EN 13501	C-s3, d0 UNE-EN 13501	-	-

# Certifications

## APPROVALS AND TESTS

**Habitat ZIP** has the approved laboratory test certificates issued by the relevant certification bodies as defined by national and international legal regulations. This certification gives you the certainty that with the products of C3 Systems, S.L. you are purchasing a quality product with all the necessary guarantees.

Wind resistance classes					
	V2	V3	V4	V5	V6
Nominal pressure to wind pN (N/m <sup>2</sup> )	70 Pa	110 Pa	170 Pa	270 Pa	400 Pa
Safety pressure (pS)	105 Pa	150 Pa	255 Pa	405 Pa	600 Pa
Wind speed (km/h)	46 km/h	56 km/h	78 km/h	92 km/h	112 km/h



Cycle test according to UNE-EN 13561:2015			
	C1	C2	C3
Deployment - Fold	3.000	7.000	10.000







**MADE IN SPAIN**



C3 Systems, S.L. · C/ Ibi, 13 · Polígono Industrial Cachapets  
03330 Crevillente (Alicante) España  
Telf. +34 966 286 186  
c3systems@c3systems.es · www.c3systems.es



ED. 5 - 2023

The purpose of this document is for commercial purpose. It does not constitute an authentic advertising offer in "strict sense". For the official offer, please contact C3 Systems S.L. in order to receive specific and personalized information that contains objective information regarding relevant characteristics which means that it will constitute an offer in a "strict sense".

C3 Systems S.L. commits not to make misleading advertising by this means. To these effects, therefore, formal or numerical errors that could be found in the content of this document are not considered as misleading advertising, in particular regarding to the image accompanying in an illustrative way, and not contractual. In any case C3 Systems S.L. commits to correct it as soon as it becomes aware of such errors.